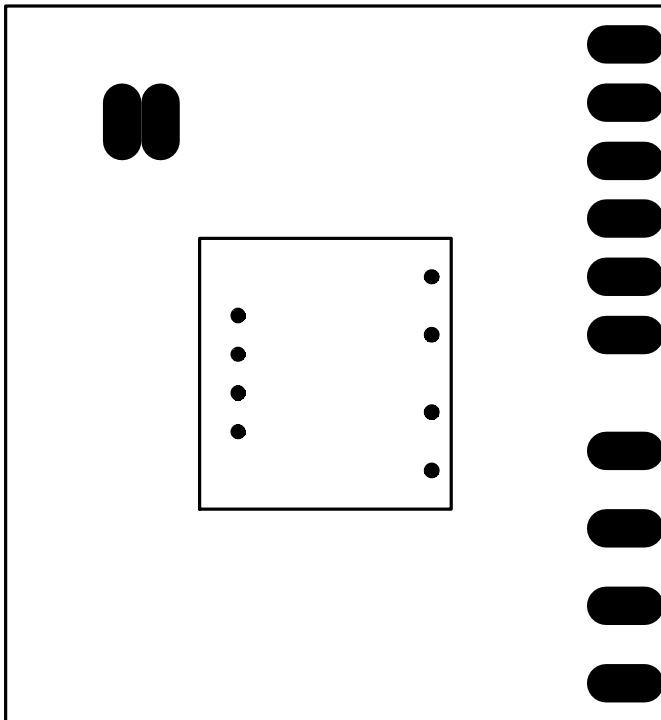


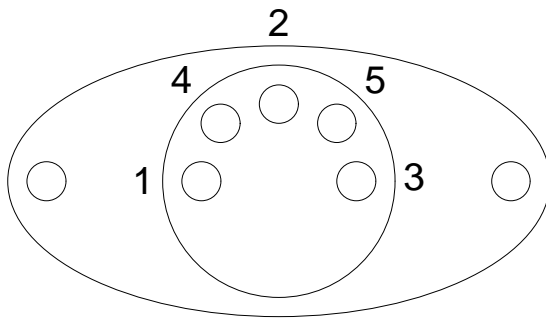
PCB WIRING.

SENSOR



- BLUE - TO PIN 5 ON DIN
- GREEN - TO PIN 3 ON DIN
- YELLOW - TO PIN 4 ON DIN
- NOT USED.
- WHITE - TO PIN 2 ON DIN
- RED - TO PIN 1 ON DIN
- BROWN MAINS TO PUMP
- BROWN MAINS TO HEATER
- BROWN MAINS INPUT
- BLUE NEUTRAL

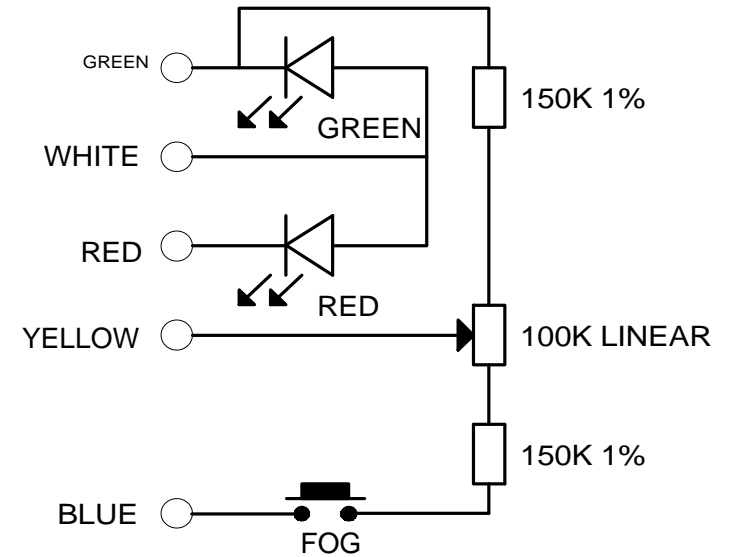
DIN SOCKET WIRING



VIEWED FROM SOLDER SIDE

- PIN 1 - RED
- PIN 4 - YELLOW
- PIN 2 - WHITE
- PIN 5 - BLUE
- PIN 3 - GREEN

REMOTE WIRING.

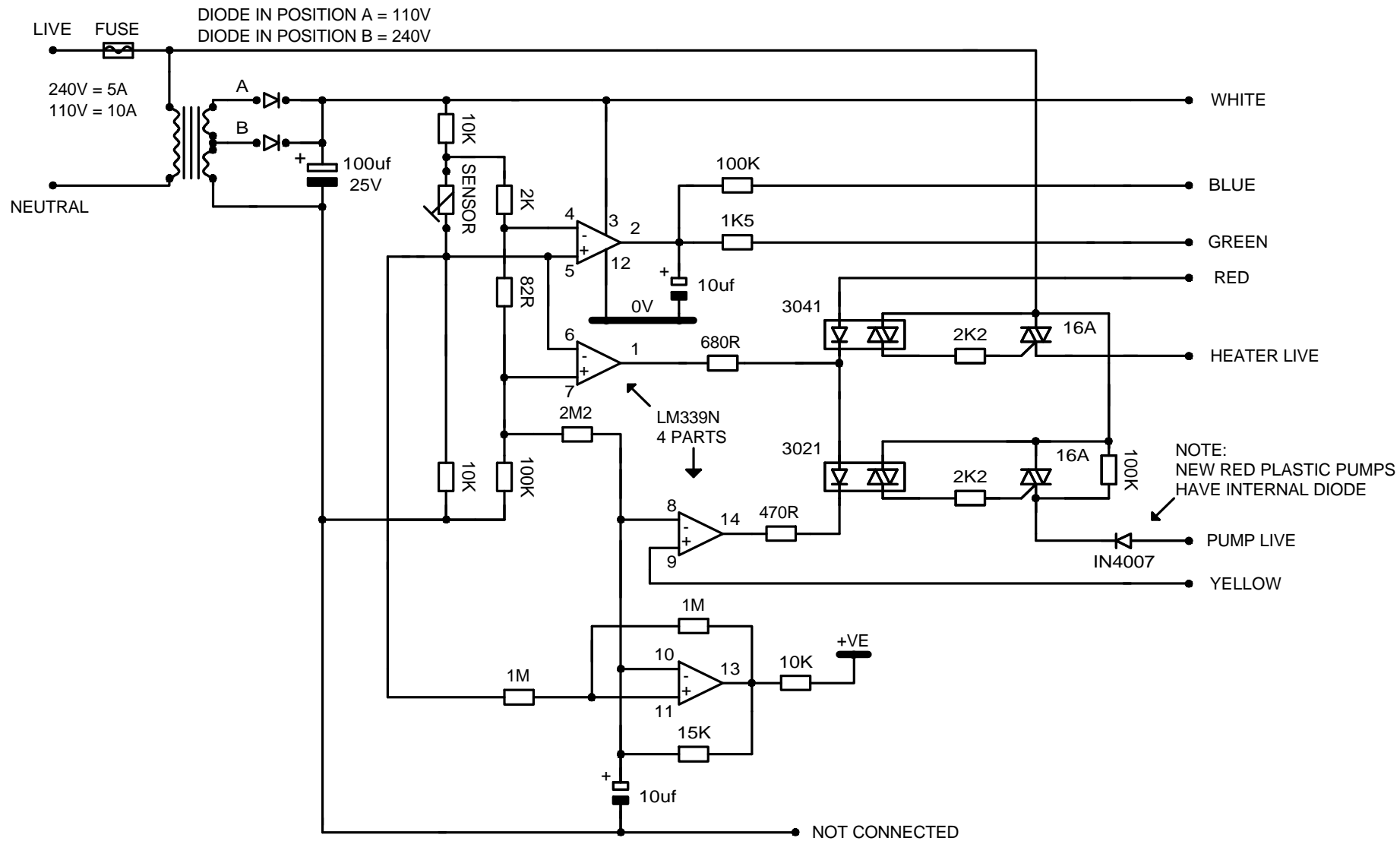


BASIC REMOTE SCHEMATIC

Drawn by :Steve Howard

28/02/99 version 1.0

J1 pcb wiring



Drawn by :Steve Howard

28/02/99 version 1.0

J1 mk11 - pcb (NON-CE)

J1mk11 / Fogger 2

